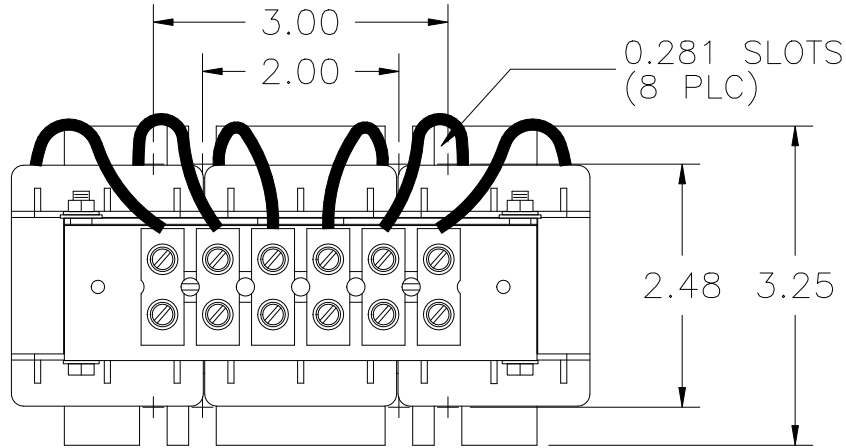


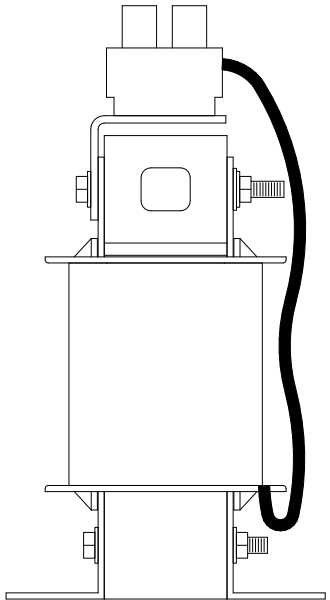
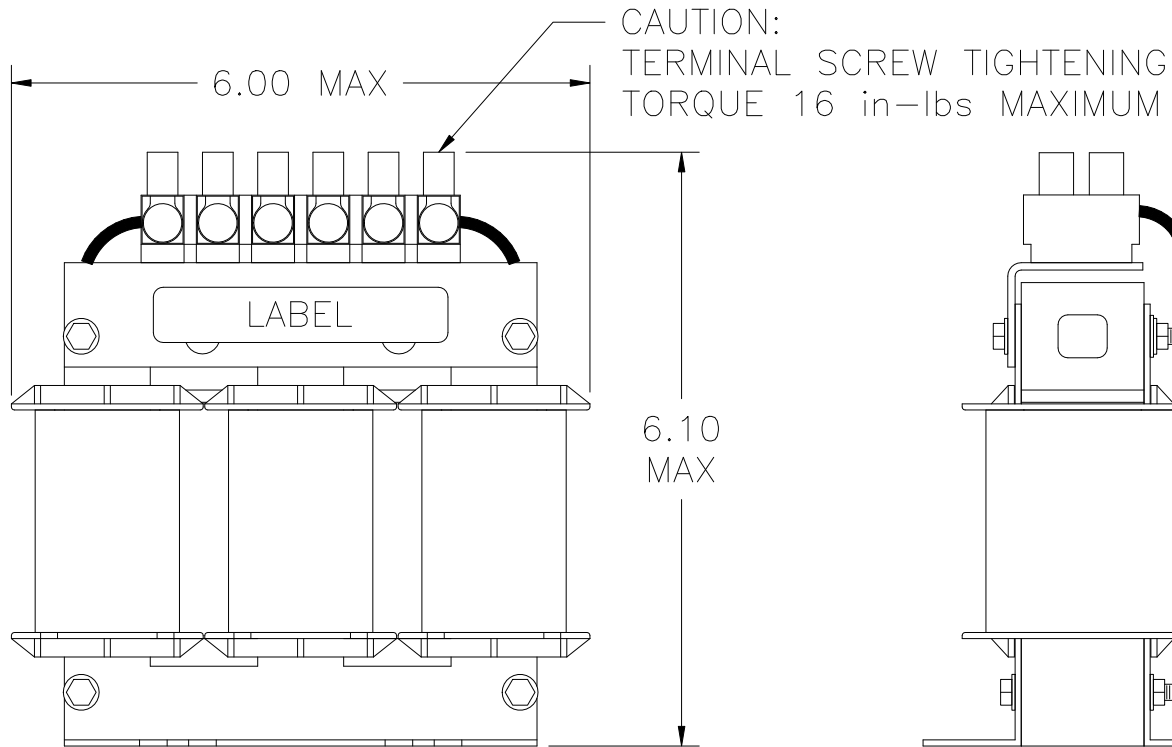
FILE: P:\DEPTS\ENGR\PROD DOCS\RLW\RLW-002805

INDUCTANCE	WEIGHT (LBS)	LOSS (WATTS)
1.3mH	10.4	93.8

NO.	CHANGE DESCRIPTION	BY	DATE	C'K'D
-----	--------------------	----	------	-------



WIRE RANGE: 14-6AWG



UNLESS OTHERWISE SPECIFIED, DIMENSIONS ARE IN INCHES [mm] AND TOLERANCES ARE:

DECI.                      FRAC.

ANGLES                    DRILLED HOLES

PART NAME:	3 PHASE REACTOR
DESCRIPTION:	OUTLINE DEMENSIONS
FINISH:	

MTE CORPORATION MENOMONEE FALLS, WISCONSIN			
CD RLW-002805			REV. 02
SCALE	NTS	DATE 04/02/09	C'K'D
REF.	DR. BY RKT	APP'D	